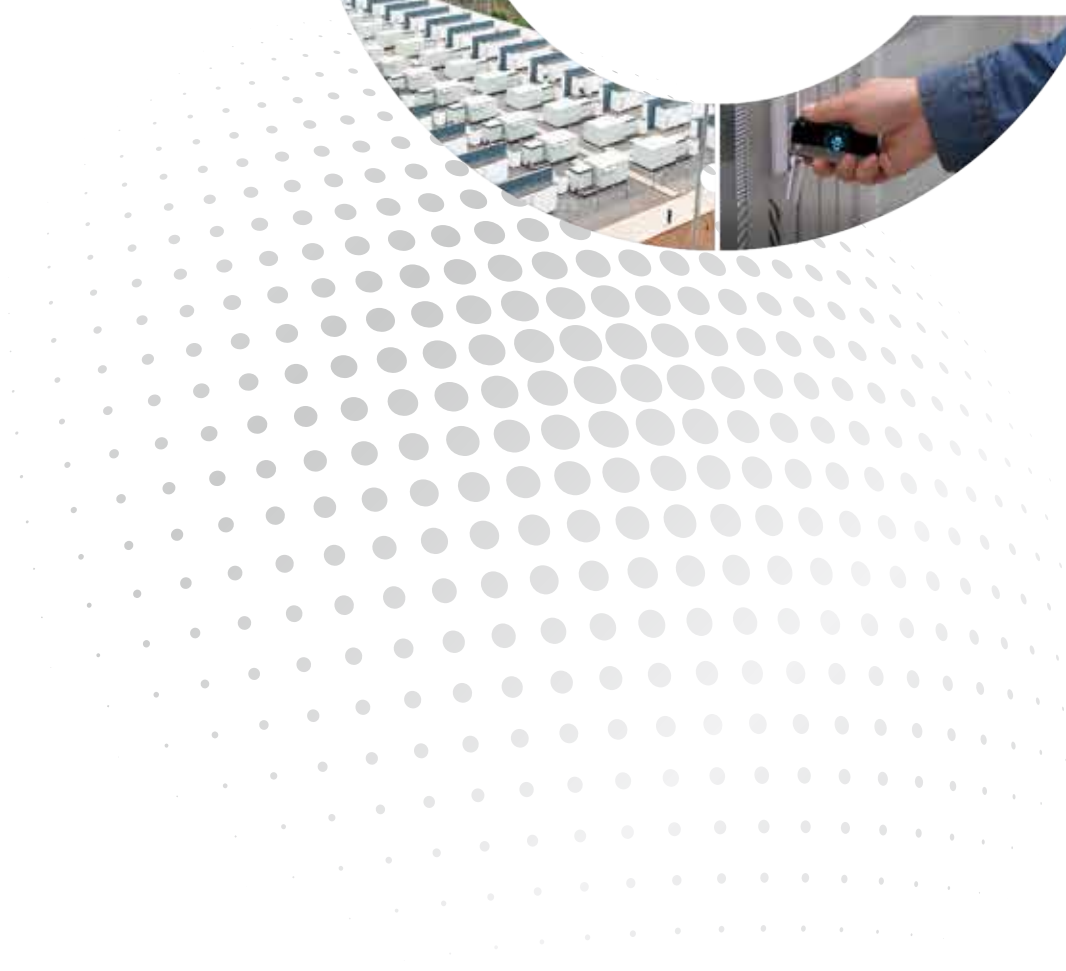




# Unitech Smart Cloud Lock System





**Zhuhai Unitech Power Technology Co., Ltd.**

Address: No. 68, Jinhong 7th Road, High-Tech Zone, Zhuhai City,  
Guangdong Province, China Post code: 519085  
TEL: 0756-2662941 FAX: 0756-2662919

**Technical support**

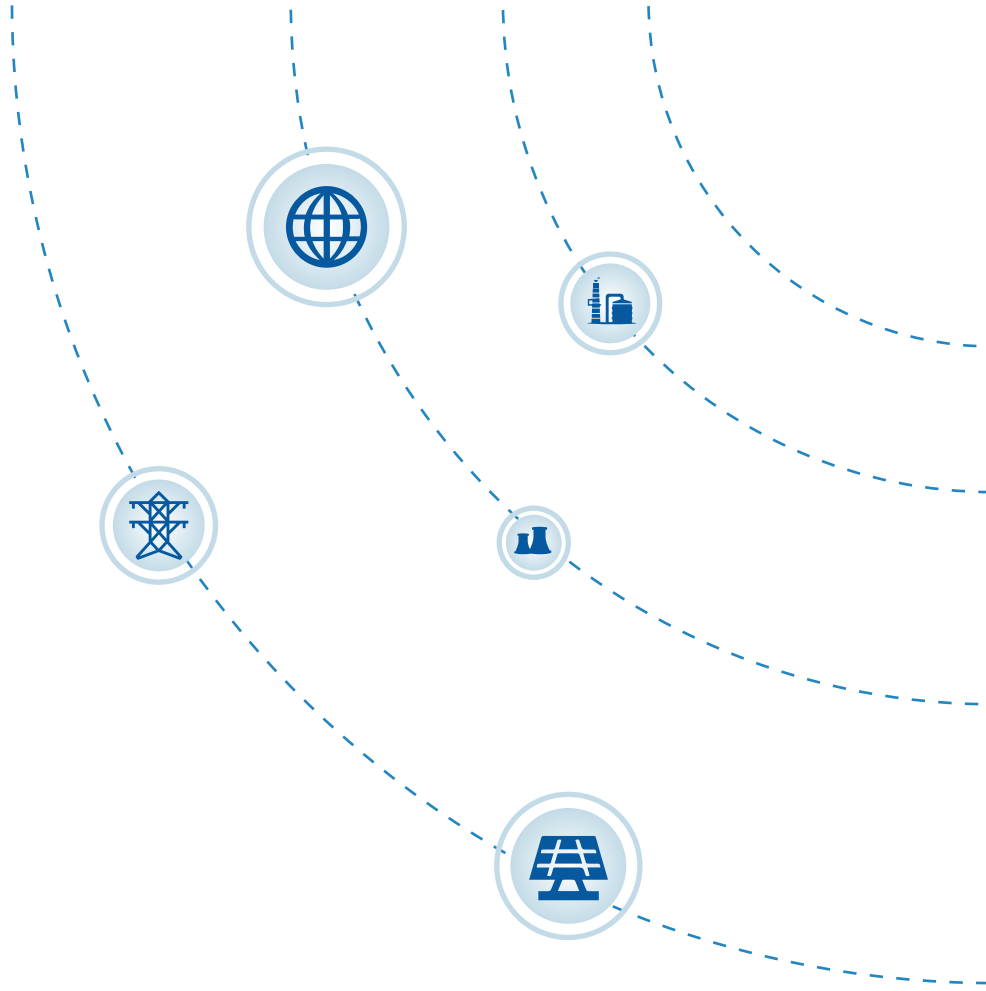
Technical support hotline: 4008338286  
URL: <http://www.ut.com.cn>



WeChat QR Code



Website QR Code



# UNITECH

---

## Unitech

Founded in 1998, Zhuhai Unitech Power Technology Co., Ltd. is dedicated to providing global-leading operation safety process interlocks and intelligent products for industrial enterprises. The company has successively won the honors such as "National Champion Demonstration Enterprise in Manufacturing Industry", "National Intellectual Property Demonstration Enterprise", and "China Excellent Patent Award". We have obtained more than 1,027 authorized patents and many of our achievements and products are recognized as "world-leading". At present, the company's products have been widely used in electric power, rail transit, petrochemical, metallurgy, coal and other industries.

**60000+**

Unitech products are applied to more than 60000 engineering projects worldwide in such industries as power, petrochemical, metallurgy, coal, and rail transportation.

**30+**

Since the microcomputer controlled interlocking system was invented, Unitech has had more than 30 years of industry experience.

**4**

It has four product series: safety management, intelligent monitoring, intelligent auxiliary control and intelligent lock control.

# Contents

01/

Company Profile

---

02/

Male Type-C Passive Lock Cylinder

---

03/

Female Type-C Passive Lock  
Cylinder and Key

---

04/

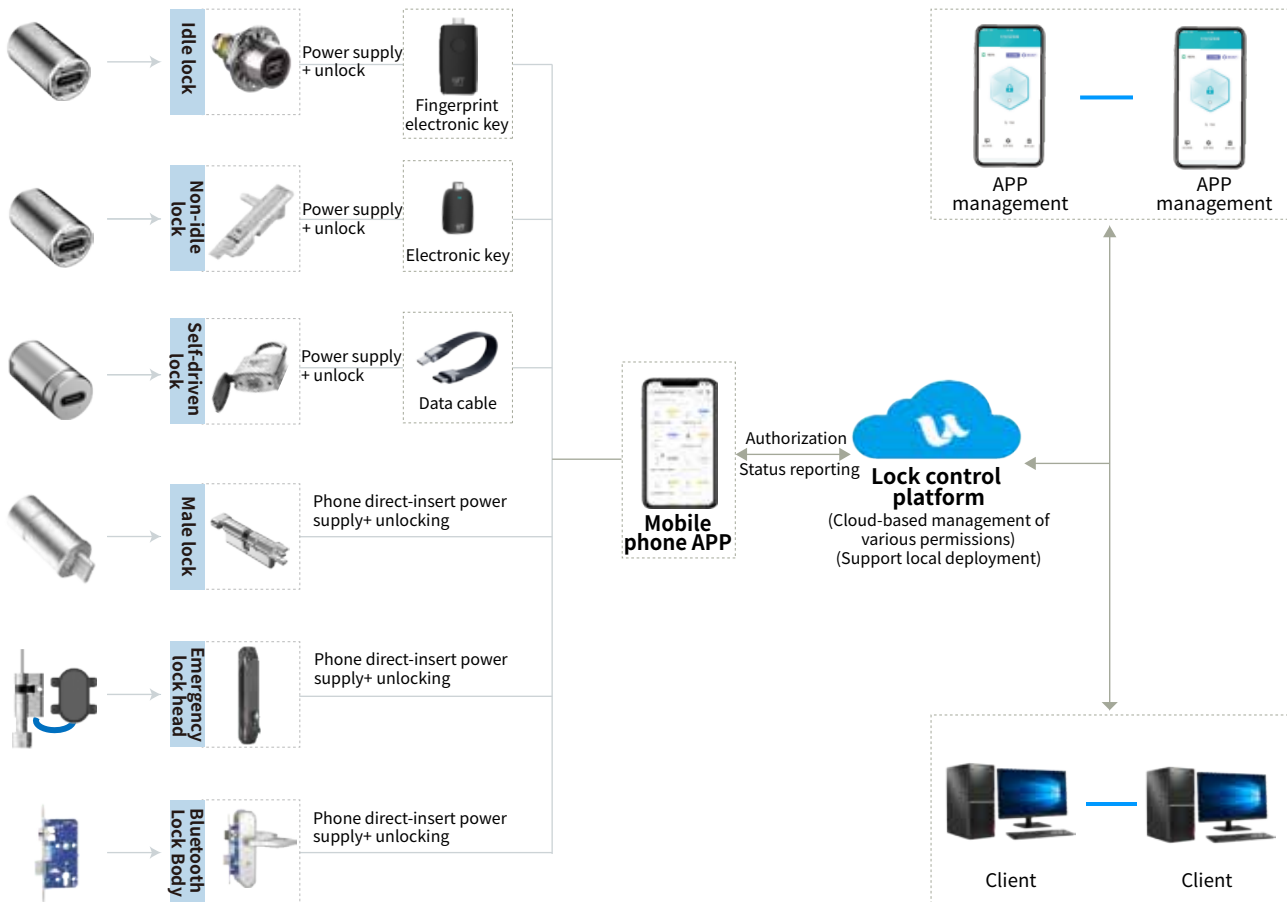
Bluetooth Lock Body

---

## Product Characteristics

### Unitech smart cloud lock system has solved the following problems:

- Standard size design, installed in the same way as that of mechanical locks, no power supply or wires required
- All locks can be opened with one key after authorization
- Your phone becomes the key to directly unlock the passive lock
- Remote authorization and cancellation anytime and anywhere
- Operation record storage
- SM4 / AES encryption algorithm, providing high security guarantee

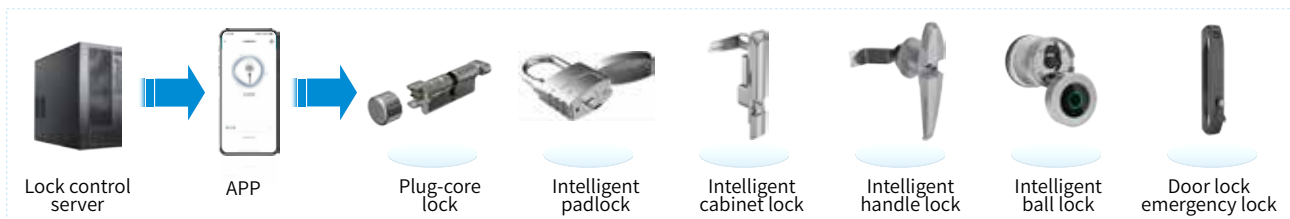


## Product Category

Unitech smart cloud lock include Type-C passive electronic lock and Bluetooth lock; we can design various locks, mainly including following categories:

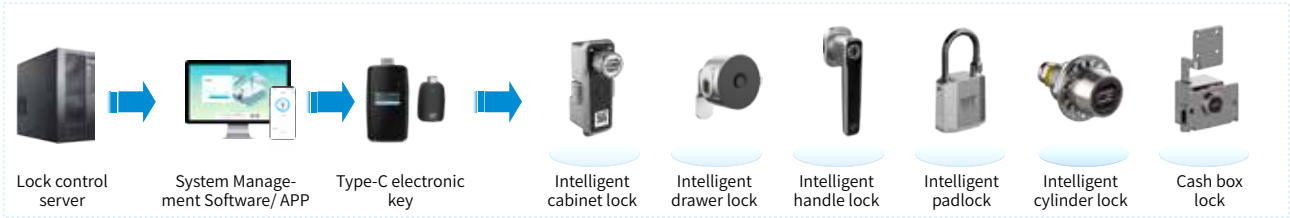
01

### TYPE-C Male Passive Lock



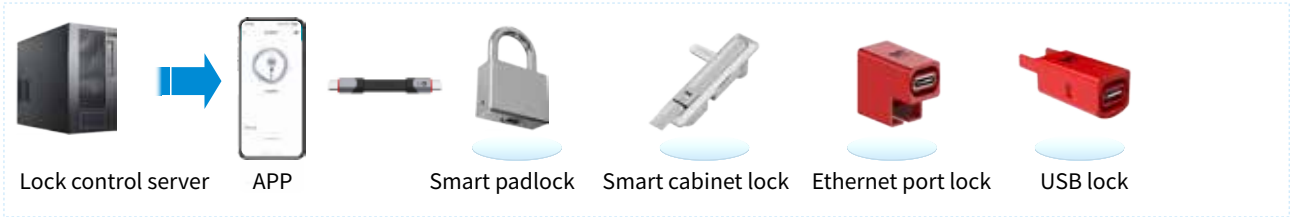
- Passive lock cylinder; the type-c interface of the mobile phone is directly plugged in for reverse power supply and unlocking, completely eliminating the need for keys

## 02 TYPE-C Female Passive Lock



- Passive lock cylinder; power supply and unlocking by electronic key; the mobile APP can be configured with the permission to unlock with an electronic key

## 03 TYPE-C Female Self-Driven Lock



- Passive lock cylinder; power supply and unlocking by a mobile phone + type-c cable, no electronic key required

## 04 Bluetooth Lock Body



- Passive lock cylinder; power supply and unlocking by a mobile phone + type-c cable, no electronic key required

### Application Scenarios

Type-c passive locks are widely used in industries the power, municipal affairs, communications, office parks, shopping malls, banks, schools, hazardous chemicals, households and other industries



Power box/ cabinet



Data server room



Bank outlets



Office parks



Shopping malls



Schools



Hazardous chemical management

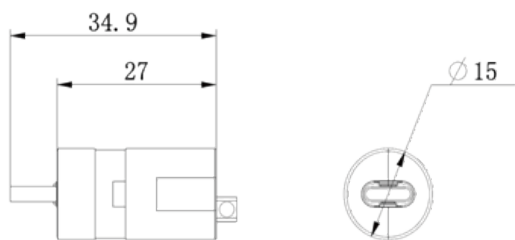
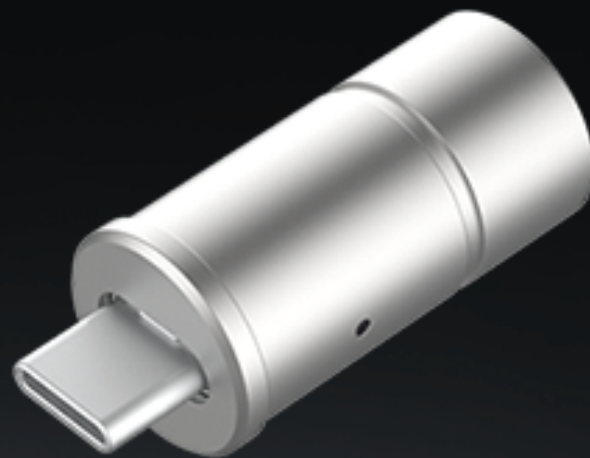


Household

# Male Type-C Lock Cylinder

Various locks can be embedded to achieve the mobile phone direct-insert unlocking, such as smart door locks, padlocks, cabinet locks, etc.

Applications: Emergency unlocking, low-frequency unlocking



Lock Name	Male Type-C Lock Cylinder
Material and surface treatment	H59 copper
Size	Ø15*34.9mm
Protection level	IP44
Working temperature	-25~55°C
Operating humidity	≤95%RH
Mechanical life	>10000 times
Unlocking method	Phone direct-insert power supply and unlocking
Applicable locks	Padlocks, cabinet locks, handle locks, box / cabinet locks, etc.



No power supply or wiring required, simple installation, convenient maintenance

no electronic keys or USB cables required; just insert your mobile phone into it for unlocking

you can use APP for remote permission management and check unlocking records at anytime and anywhere



Passive



Customizable lock head length

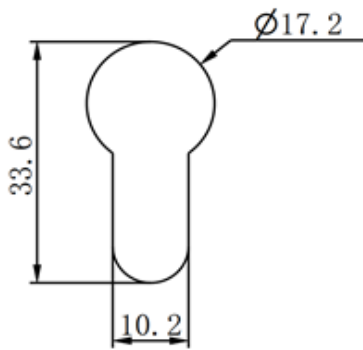


Maintenance free

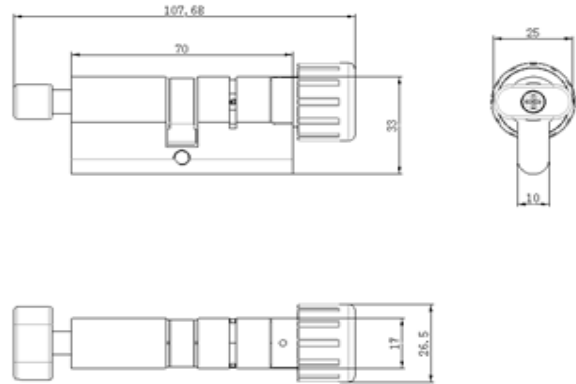


Your phone becomes the key

Installation Dimensions (mm)



Product Dimensions (mm)



Lock Name	Male Type-C plug-core lock
Material and surface treatment	Copper alloy\ Matte chrome plated
Size	26.5x25x107.68m
Thickness of applicable door	40-120mm
Protection level	IP44
Working temperature	-25~55°C
Operating humidity	≤95%RH
Mechanical life	>10000 times
Unlocking method	Phone direct-insert power supply and unlocking
Applications	Replacing door lock plug-core lock

Mechanical door locks



Intelligent door lock





No power supply or wiring required, simple installation, convenient maintenance

no electronic keys or USB cables required; just insert your mobile phone into it for unlocking

you can use APP for remote permission management and check unlocking records at anytime and anywhere



Passive



Optional Bluetooth unlocking

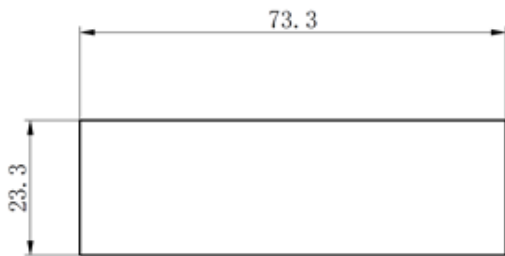


Maintenance free

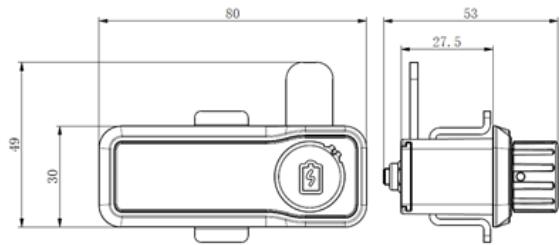


Your phone becomes the key

Installation Dimensions (mm)



Product Dimensions (mm)



Lock Name	Male Type-C cabinet lock
Material and surface treatment	Zinc alloy\ nanometer spraying
Size	80x30x53mm
Protection level	IP44
Working temperature	-25~55°C
Operating humidity	≤95%RH
Mechanical life	>10,000 times
Unlocking method	Phone direct-insert power supply and unlocking
Applications	Storage cabinets, drawers, filing cabinets, etc.

Storage cabinet



Storage cabinet



Filing cabinet





No power supply or wiring required, simple installation, convenient maintenance

no electronic keys or USB cables required; just insert your mobile phone into it for unlocking

you can use APP for remote permission management and check unlocking records at anytime and anywhere



Passive



Customizable lock case appearance and dimensions

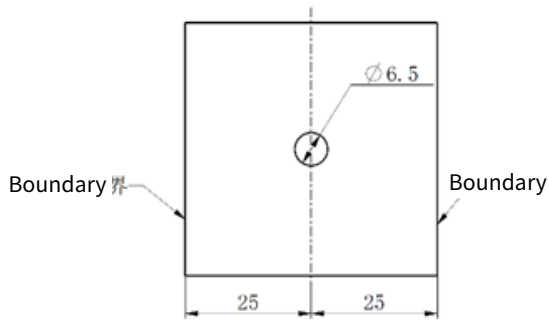


Maintenance free

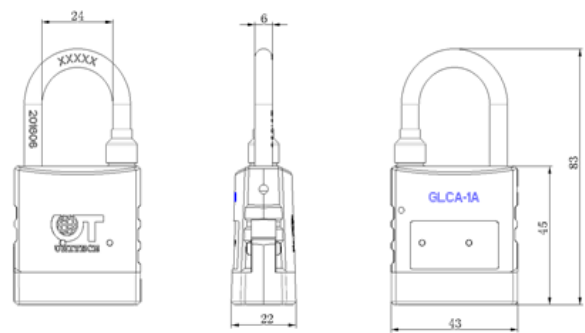


Your phone becomes the key

Installation Dimensions (mm)



Product Dimensions (mm)



Lock Name	Male Type-C padlock
Material and surface treatment	Zinc alloy\ varnishing
Size	43x22x83mm
Beam locking diameter	φ6mm
Protection level	IP54
Working temperature	-25~55°C
Operating humidity	≤95%RH
Mechanical life	>10,000 times
Unlocking method	Phone direct-insert power supply and unlocking
Applications	Outdoor cabinets, logistics boxes, storage doors/ cabinets, doors and windows, etc.

Outdoor cabinet



Logistics box



Warehousing





No power supply or wiring required, simple installation, convenient maintenance

no electronic keys or USB cables required; just insert your mobile phone into it for unlocking

you can use APP for remote permission management and check unlocking records at anytime and anywhere



Passive



Optional connecting rod



Maintenance free



Your phone becomes the key

Installation Dimensions (mm)	Product Dimensions (mm)

Lock Name	Male Type-C cabinet lock
Material and surface treatment	Zinc alloy\ nanometer spraying
Size	165x90.5x58.6mm
Door thickness	<7mm
Protection level	IP54
Working temperature	-25~55°C
Operating humidity	≤95%RH
Mechanical life	>10,000 times
Unlocking method	Phone direct-insert power supply and unlocking
Applications	Power cabinets, data cabinets, communication cabinets, charging piles, etc.

Power box/ cabinet



Data cabinet



Communication cabinet





No power supply or wiring required, simple installation, convenient maintenance

no electronic keys or USB cables required; just insert your mobile phone into it for unlocking

you can use APP for remote permission management and check unlocking records at anytime and anywhere



Passive



Customizable handle style

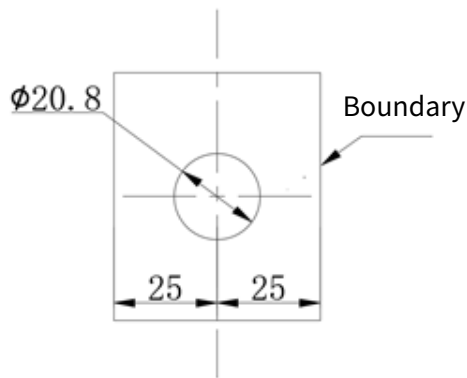


Maintenance free

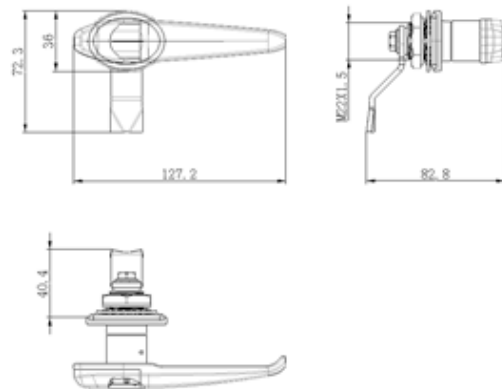


Your phone becomes the key

#### Installation Dimensions (mm)



#### Product Dimensions (mm)



Lock Name	Male Type-C handle lock
Material and surface treatment	Zinc alloy\ nanometer spraying
Size	127.2x82.8x72.3mm
Door thickness	<7mm
Protection level	IP54
Working temperature	-25~55°C
Operating humidity	≤95%RH
Mechanical life	>10,000 times
Unlocking method	Phone direct-insert power supply and unlocking
Applications	Municipal control cabinets, distribution boxes, industrial storage cabinets, etc.

Control cabinet



Distribution box



Storage cabinet





No power supply or wiring required, simple installation, convenient maintenance

no electronic keys or USB cables required; just insert your mobile phone into it for unlocking

you can use APP for remote permission management and check unlocking records at anytime and anywhere



Passive

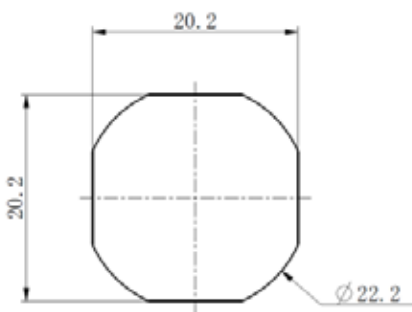


Maintenance free

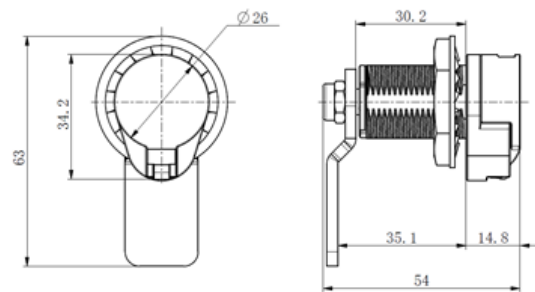


Your phone becomes the key

Installation Dimensions (mm)



Product Dimensions (mm)



Lock Name	Male Type-C cylinder lock
Material and surface treatment	Zinc alloy\ nanometer spraying
Size	34.2x26x54mm
Door thickness	<7mm
Protection level	IP54
Working temperature	-25~55°C
Operating humidity	≤95%RH
Mechanical life	>10,000 times
Unlocking method	Phone direct-insert power supply and unlocking
Applications	Municipal control boxes, bank ATM, vending machines, charging piles, etc.

Power box/ cabinet



Data cabinet



Communication cabinet





It is composed of an intelligent fingerprint ball lock and a male Type-C lock cylinder

APP Bluetooth + fingerprint unlocking

No mechanical key, emergency unlocking through inserting phone directly



APP Bluetooth unlocking

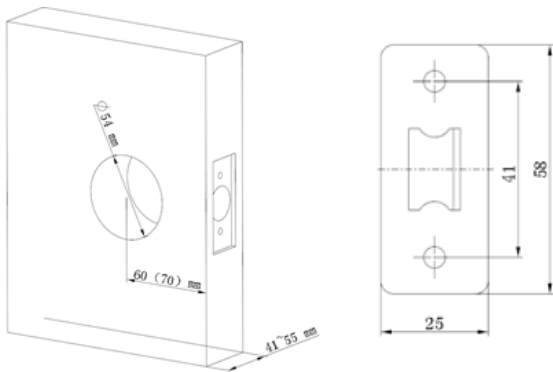


Fingerprint unlocking

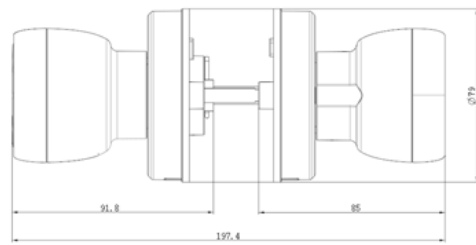


Phone emergency unlocking

Installation Dimensions (mm)



Product Dimensions (mm)



Lock Name	Male Type-C fingerprint ball lock
Material and surface treatment	Zinc alloy\ nanometer spraying
Size	Ø79x197.4 mm
Door thickness	40~55mm
Power supply method	Four AAA batteries
Battery life	18 months
Working temperature	-25~55°C
Operating humidity	≤95%RH
Mechanical life	>10,000 times
Unlocking method	Bluetooth, fingerprint and phone direct-insert power supply and unlocking
Applications	Room doors, office doors

Room door



Office door





It is composed of an intelligent fingerprint ball lock and a male Type-C lock cylinder

APP Bluetooth + fingerprint unlocking

No mechanical key, emergency unlocking through inserting phone directly



APP Bluetooth unlocking

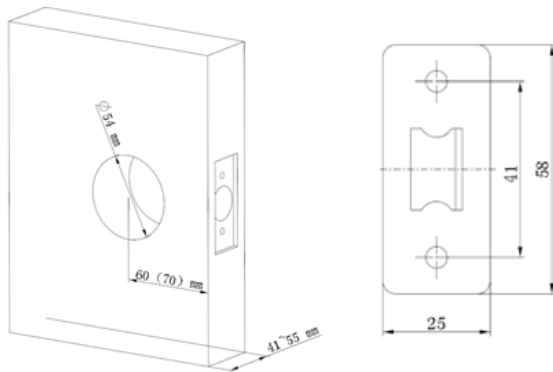


Password unlocking

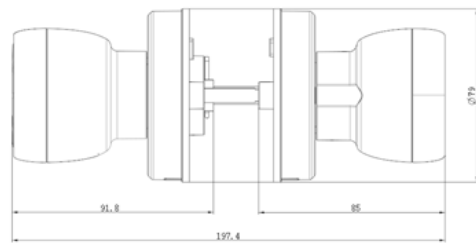


Phone emergency unlocking

Installation Dimensions (mm)



Product Dimensions (mm)



Lock Name	Male Type-C fingerprint ball lock
Material and surface treatment	Zinc alloy\ nanometer spraying
Size	Ø79x197.4 mm
Door thickness	40~55mm
Power supply method	Four AAA batteries
Battery life	18 months
Working temperature	-25~55°C
Operating humidity	≤95%RH
Mechanical life	>10,000 times
Unlocking method	Bluetooth, password and phone direct-insert power supply and unlocking
Applications	Room doors, office doors

Room door



Office door





Intelligent door lock emergency lock head, simple installation, convenient maintenance

No electronic key or USB cable required, phone direct-insert unlocking

You can use APP for remote permission management and check unlocking records at anytime and anywhere



Passive



Customizable lock head length



Maintenance free



Your phone becomes the key

Installation Dimensions (mm)	Product Dimensions (mm)

Lock Name	Intelligent door lock emergency lock head
Material and surface treatment	MIM304
Size	Standard European standard plug-core lock head size
Door thickness	40~110mm
Protection level	IP44
Working temperature	-25~55°C
Operating humidity	≤95%RH
Mechanical life	>10,000 times
Unlocking method	Phone direct-insert power suppl\ Temporary panel power supply
Applications	Intelligent door lock

Intelligent door lock

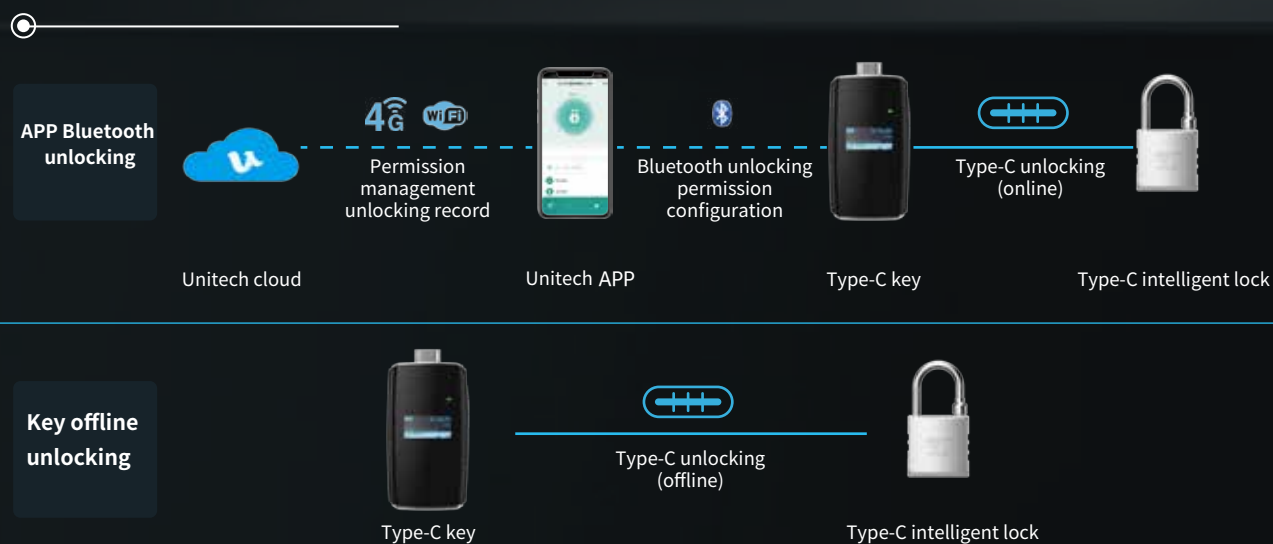


# Type-C Intelligent Locks and Keys

Unitech Type-C smart locks and keys, with a variety of lock styles, including European standard locks, padlocks, cabinet locks, box locks, cam locks, etc. The key is equipped with Bluetooth communication and can be expanded with fingerprint recognition function. It supports online unlocking through the APP and offline unlocking by the unlocking device.



## System Composition



Type-C key: It realizes the locking and unlocking operations of locks within the scope of authorization, and has the functions such as powering and communicating with the lock, identifying the identity of the lock, authorization operations, and Bluetooth connection with the APP

Type-C smart lock: A smart lock is formed by embedding Type-C passive electronic lock cylinders into various mechanical lock cases and supports Type-C key unlocking

Application mode: There are a large number of locks that need to be managed. After authorization, all locks can be unlocked by one key, and they are managed by zones and levels



Type-C idle/ non-idle passive electronic lock cylinder  
 The key powers the lock cylinder and unlocks it.  
 In standard sizes, it can be integrated into various locks



Passive



Standard Type-C interface

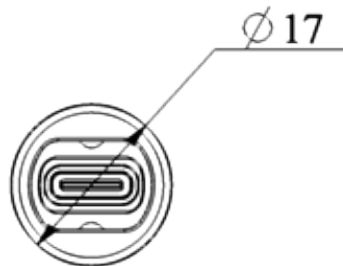
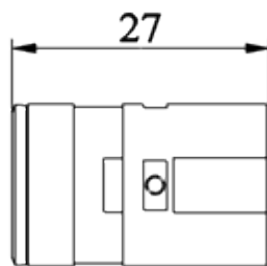


Maintenance free



Switch lock status

Product Dimensions (mm)



Lock Name	Type-C idle/non-idle lock cylinder
Material and surface treatment	H59 copper
Size	Ø17x27mm
Protection level	IP55
Working temperature	-25~55°C
Operating humidity	≤95%RH
Mechanical life	>10,000 times
Unlocking method	Key power supply and unlocking
Applicable locks	Padlocks, cabinet locks, handle locks, box / cabinet locks, etc.

Padlock



Cabinet lock



Handle lock





Fingerprint electronic key, with built-in rechargeable batteries, supports Bluetooth communication

Supports online unlocking via APP and offline unlocking via key, and stores unlocking records in real time

Fingerprint recognition of personnel identity, screen interaction operation process



Rechargeable battery



Bluetooth communication

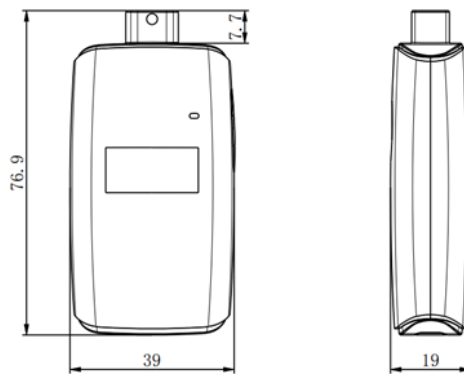


Color display screen



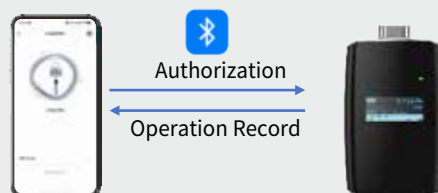
Fingerprint recognition of personnel identity

### Product Dimensions (mm)



Lock Name	Fingerprint electronic key
Material and surface treatment	Stainless steel middle frame/ ABS+PC shell
Size	76.9x39x19mm
Power supply method	Rechargeable lithium battery
Battery life	Number of unlocking operations $\geq 400$ (25°C) or standby for 3 months
Protection level	IP54
Working temperature	-25~55°C
Operating humidity	$\leq 95\%RH$
Mechanical life	>10,000 times
Unlocking method	Online unlocking via mobile phone APP/ Offline unlocking with key
Applicable locks	Female Type-C idle/ non-idle lock

### Authorization Mode





Equipped with the built-in rechargeable battery, supporting Bluetooth communication

Supports online unlocking via APP and offline unlocking via key, and stores unlocking records in real time

The indicator displays the operation process



Rechargeable battery

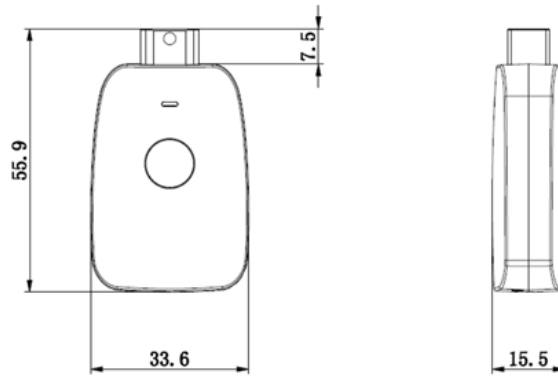


Bluetooth communication



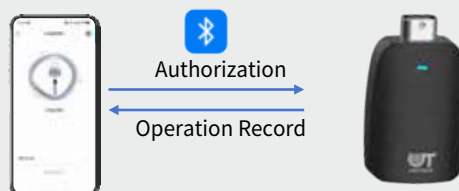
Indicator communication

### Product Dimensions (mm)



Lock Name	Simple electronic key
Material and surface treatment	ABS shell
Size	55.9x33.6x15.5mm
Power supply method	Rechargeable lithium battery
Battery life	Number of continuous unlocking operations $\geq 300$ (25°C) or standby for 3 months
Protection level	IP52
Working temperature	-25~55°C
Operating humidity	$\leq 95\%RH$
Mechanical life	>10,000 times
Unlocking method	Online unlocking via mobile phone APP/ Offline unlocking with key
Applicable locks	Female Type-C idle/ non-idle lock

### Authorization Mode





No power supply or wiring required, simple installation, convenient maintenance;

Insert the key into the lock for power supply and unlocking. After authorization, one key can unlock all locks

APP management of key permissions and operation records



Passive



Idle/ non-idle lock cylinder



Maintenance free



Power supply and unlocking by electronic key

Installation Dimensions (mm)	Product Dimensions (mm)

Lock Name	Female Type-C plug-core lock
Material and surface treatment	Copper alloy\ Matte chrome plated
Size	99.8x29.5x38.9mm
Thickness of applicable door	40-70mm
Protection level	IP55
Working temperature	-25~55°C
Operating humidity	≤95%RH
Mechanical life	≥10000次
Unlocking method	Electronic key power supply and unlocking
Applications	Replacing door lock plug-core lock

Mechanical door locks



Intelligent door lock





Mobile phone Bluetooth + Type-C key unlocking

Insert the key into the lock for power supply and unlocking.  
After authorization, one key can unlock all locks

APP management of key permissions and operation records



Mobile phone  
Bluetooth  
unlocking



Emergency unlocking  
by electronic key

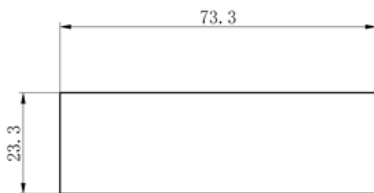


Maintenance  
free

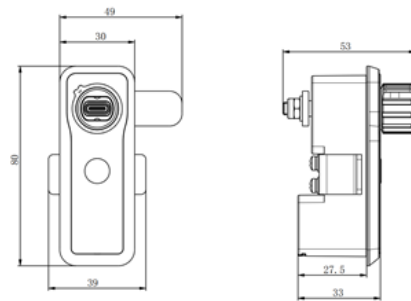


Idle/ non-idle lock  
cylinder

Installation Dimensions (mm)



Product Dimensions (mm)



Lock Name	Intelligent cabinet lock
Material and surface treatment	Zinc alloy\ nanometer spraying
Size	80x30x53mm
Protection level	IP55
Working temperature	-25~55°C
Mechanical life	>10,000 times
Unlocking method	Power supply and unlocking via Bluetooth or electronic key
Applications	Storage cabinets, drawers, filing cabinets, etc.

Control cabinet



Distribution box



Storage cabinet





Mobile phone Bluetooth + Type-C key unlocking  
 Insert the key into the lock for power supply and unlocking.  
 After authorization, one key can unlock all locks  
 APP management of key permissions and operation records



Mobile phone Bluetooth unlocking



Emergency unlocking by electronic key

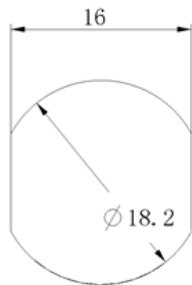


Maintenance free

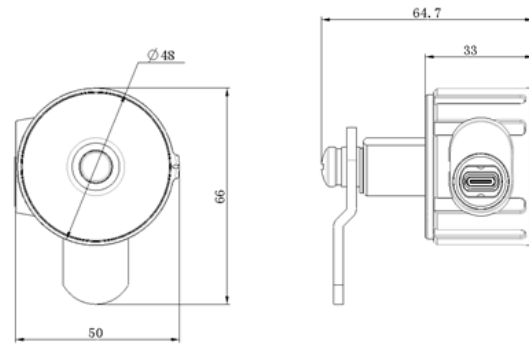


Idle/ non-idle lock cylinder

Installation Dimensions (mm)



Product Dimensions (mm)



Lock Name	Intelligent cabinet lock
Material and surface treatment	Zinc alloy\ nanometer spraying
Size	66x50x64.7mm
Door thickness	≤20mm
Protection level	IP55
Working temperature	-25~55°C
Operating humidity	≤95%RH
Mechanical life	>10,000 times
Unlocking method	Power supply and unlocking via Bluetooth or electronic key
Applications	Storage cabinets, drawers, filing cabinets, etc.

Control cabinet



Storage cabinet



Filing cabinet





No power supply or wiring required, simple installation, convenient maintenance

Insert the key into the lock for power supply and unlocking. After authorization, one key can unlock all locks

APP management of key permissions and operation records



Passive



Idle/ non-idle lock cylinder

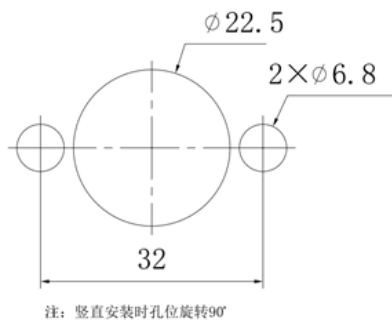


Maintenance free

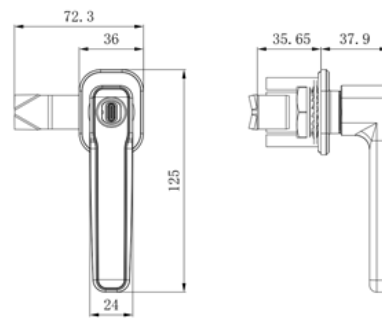


Power supply and unlocking by electronic key

### Installation Dimensions (mm)



### Product Dimensions (mm)



Lock Name	Female Type-C handle lock
Material and surface treatment	Zinc alloy \ nanometer spraying
Size	72.3x125x73.55mm
Thickness of applicable door	<7mm
Protection level	IP55
Working temperature	-25~55°C
Operating humidity	≤95%RH
Mechanical life	>10,000 times
Unlocking method	Electronic key power supply and unlocking
Applications	Municipal control cabinets, distribution boxes, industrial storage cabinets, etc.

Control cabinet



Distribution box



Storage cabinet





No power supply or wiring required, simple installation, convenient maintenance

Insert the key into the lock for power supply and unlocking. After authorization, one key can unlock all locks

APP management of key permissions and operation records



Passive



Idle/ non-idle lock cylinder



Maintenance free

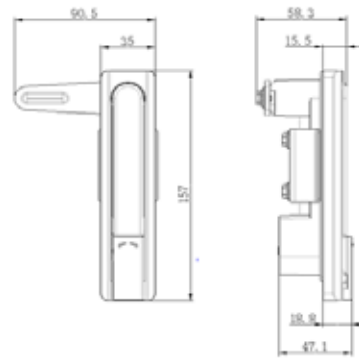


Power supply and unlocking by electronic key

Installation Dimensions (mm)



Product Dimensions (mm)



Lock Name	Female Type-C cabinet lock
Material and surface treatment	Zinc alloy\ nanometer spraying
Size	157x90.5x58.3mm
Thickness of applicable door	<7mm
Protection level	IP55
Working temperature	-25~55°C
Operating humidity	≤95%RH
Mechanical life	>10,000 times
Unlocking method	Electronic key power supply and unlocking
Applications	Power cabinets, data cabinets, communication cabinets, charging piles, etc.

Power box/ cabinet



Data cabinet



Communication cabinet





No power supply or wiring required, simple installation, convenient maintenance

Insert the key into the lock for power supply and unlocking. After authorization, one key can unlock all locks

APP management of key permissions and operation records



Passive



Idle/ non-idle lock cylinder

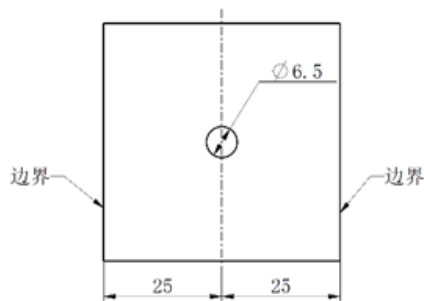


Maintenance free

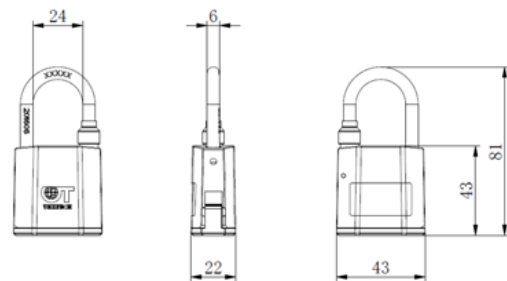


Power supply and unlocking by electronic key

Installation Dimensions (mm)



Product Dimensions (mm)

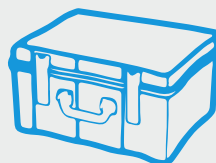


Lock Name	Female Type-C padlock
Material and surface treatment	Zinc alloy \ varnishing
Size	43x22x81mm
Beam locking diameter	φ6mm
Protection level	IP55
Working temperature	-25~55°C
Operating humidity	≤95%RH
Mechanical life	>10,000 times
Unlocking method	Electronic key power supply and unlocking
Applications	Outdoor cabinets, logistics boxes, storage doors/ cabinets, doors and windows, etc.

Outdoor cabinet



Logistics box



Warehousing





No power supply or wiring required, simple installation, convenient maintenance

Insert the key into the lock for power supply and unlocking. After authorization, one key can unlock all locks

APP management of key permissions and operation records



Passive



Idle/ non-idle lock cylinder

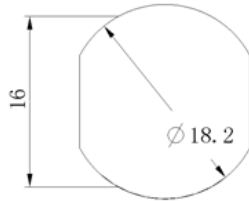


Maintenance free

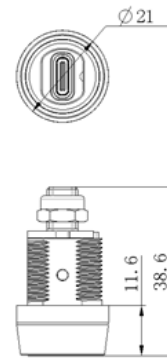


Power supply and unlocking by electronic key

Installation Dimensions (mm)



Product Dimensions (mm)



Lock Name	Female Type-C cylinder lock
Material and surface treatment	Zinc alloy\ nanometer spraying
Size	φ21x38.6mm
Thickness of applicable door	<7mm
Protection level	IP55
Working temperature	-25~55°C
Operating humidity	≤95%RH
Mechanical life	>10,000 times
Unlocking method	Electronic key power supply and unlocking
Applications	Municipal control boxes, bank ATM, vending machines, charging piles, etc.

Municipal control boxes



Bank ATM



Vending machines





No power supply or wiring required, simple installation, convenient maintenance

Insert the key into the lock for power supply and unlocking. After authorization, one key can unlock all locks

APP management of key permissions and operation records



Passive



Switch lock status

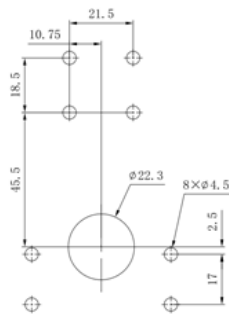


Maintenance free

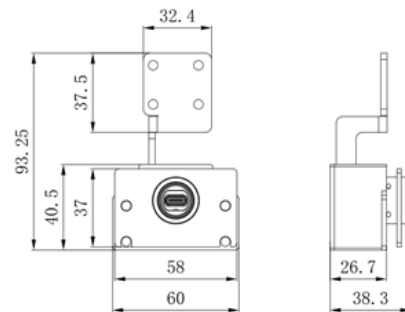


Power supply and unlocking by electronic key

### Installation Dimensions (mm)

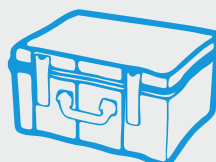


### Product Dimensions (mm)



Lock Name	Female Type-C Bank cash box lock
Material and surface treatment	Zinc alloy\ nanometer spraying
Size	60x93.25x38.3mm
Protection level	IP55
Working temperature	-25~55°C
Operating humidity	≤95%RH
Mechanical life	>10,000 times
Unlocking method	Electronic key power supply and unlocking
Applications	Bank cash boxes

Bank cash boxes





No power supply or wiring required, simple installation, convenient maintenance

Insert the key into the lock for power supply and unlocking. After authorization, one key can unlock all locks

APP management of key permissions and operation records



Passive



Physical blockage of network port

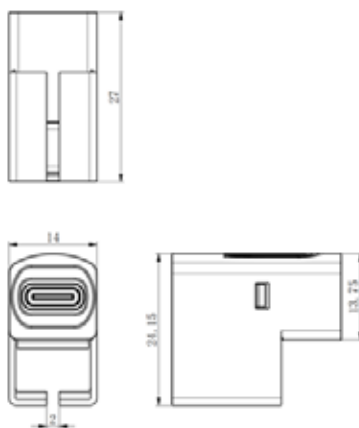


Maintenance free



Power supply and unlocking by electronic key

Product Dimensions (mm)



Lock Name	Type-C network port lock
Material and surface treatment	PA66\ screen-printed LOGO
Size	27mmx14mmx24.15mm
Protection level	IP55
Working temperature	-25~55°C
Operating humidity	≤95%RH
Mechanical life	>10,000 times
Unlocking method	Power supply and unlocking of electronic keys
Applications	Computers, servers, switches, routers, etc.

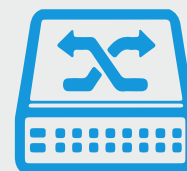
Computer



Server



Switch





No power supply or wiring required, simple installation, convenient maintenance

Insert the key into the lock for power supply and unlocking. After authorization, one key can unlock all locks

APP management of key permissions and operation records



Passive



Physical Plugging of USB Interface

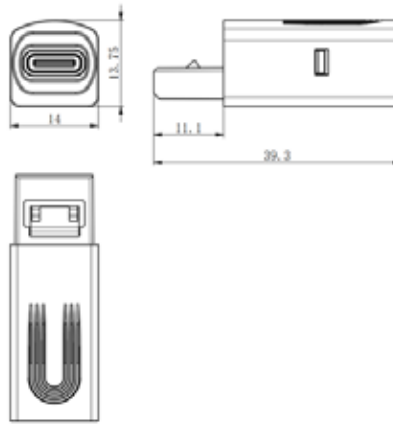


Maintenance free



Power supply and unlocking by electronic key

Product Dimensions (mm)

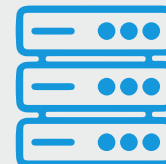


Lock Name	Type-C USB interface lock
Material and surface treatment	PA66\ screen-printed LOGO
Size	39.3x14x13.75mm
Protection level	IP55
Working temperature	-25~55°C
Operating humidity	≤95%RH
Mechanical life	>10,000 times
Unlocking method	Electronic key power supply and unlocking
Applications	USB interfaces of computers, servers, etc.

Computer

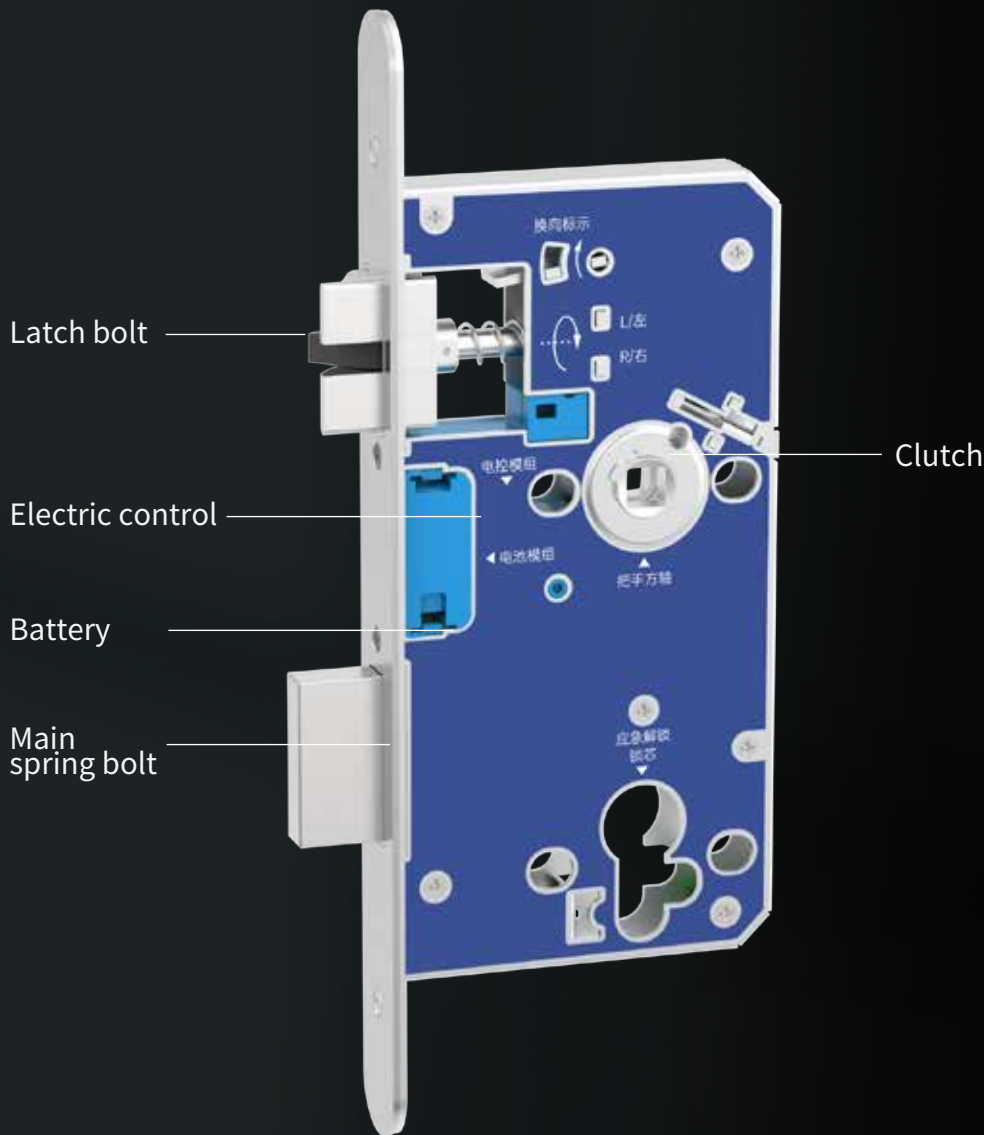


Server



# New Generation Intelligent Bluetooth Lock Body

- APP Bluetooth unlocking
- Handle panel is flexibly adapted
- Modular maintenance
- Remote authorization/cancellation



Applications: Works with mechanical panels for various door locks



The lock is equipped with built-in Bluetooth communication module, motor drive, detection sensor and battery

Equipped with mechanical panel handle and APP Bluetooth unlocking function

APP management of unlocking permissions and operation records



Battery power supply



Handle action detection

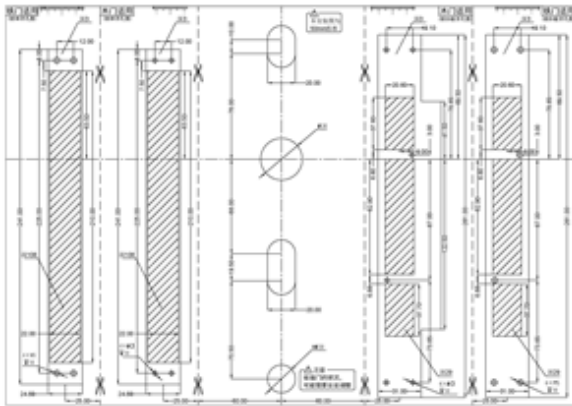


APP Bluetooth unlocking

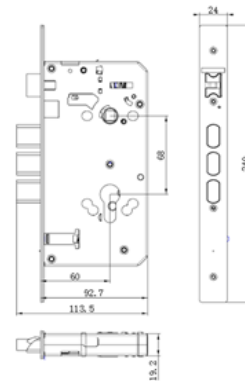


6068 standard specification

Installation Dimensions (mm)

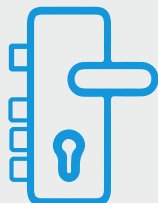


Product Dimensions (mm)



Lock Name	Intelligent lock body T2 (6068 Bluetooth lock body)
Material	Electrolytic plate + stainless steel
Size	240x24x113.5mm
Power supply method	CR2 battery, 3 V DC
Battery life	18 months (at room temperature, unlocking for 10 times a day)
Working temperature	-10°C~55°C
Operating humidity	≤95%RH
Mechanical life	≥100000 times
Unlocking method	Mobile phone APP Bluetooth unlocking
Applications	Household entrance doors, apartment doors, etc.

Equipped with mechanical panel



Equipped with electronic panel





The lock is equipped with built-in Bluetooth communication module, motor drive, detection sensor and battery

Equipped with mechanical panel handle and APP Bluetooth unlocking function

APP management of unlocking permissions and operation records



Battery power supply



Handle action detection

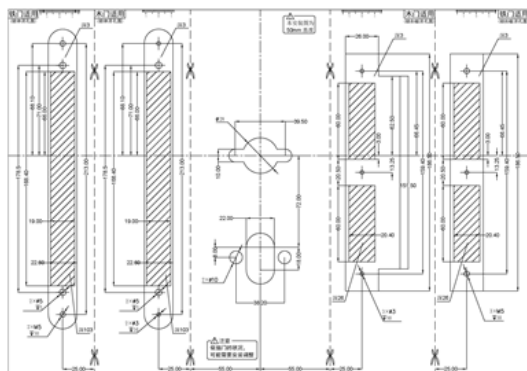


APP Bluetooth unlocking

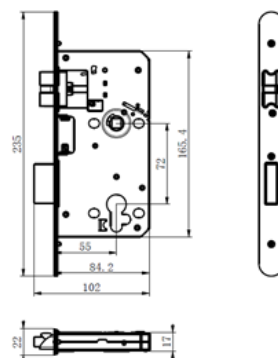


5572 standard specification

Installation Dimensions (mm)



Product Dimensions (mm)

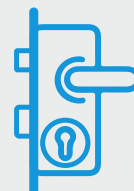


Lock Name	Intelligent lock body T6 (5572 Bluetooth lock body)
Material	Electrolytic plate + stainless steel
Size	235x22x102mm
Power supply method	CR2 battery, 3 V DC
Battery life	18 months (at room temperature, unlocking for 10 times a day)
Working temperature	-10°C~55°C
Operating humidity	≤95%RH
Mechanical life	≥100000 times
Unlocking method	Mobile phone APP Bluetooth unlocking
Applications	Household entrance doors, apartment doors, etc.

Equipped with an integrated mechanical panel



Equipped with a split mechanical panel





The door lock is composed of a 5572 Bluetooth lock body and a mechanical handle panel

APP Bluetooth unlocking, pulling up the handle to lock

Emergency unlocking by mechanical key



APP Bluetooth unlocking



Mechanical key unlocking

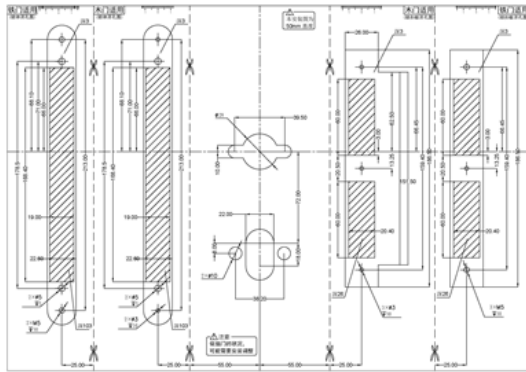


No wiring required for installation

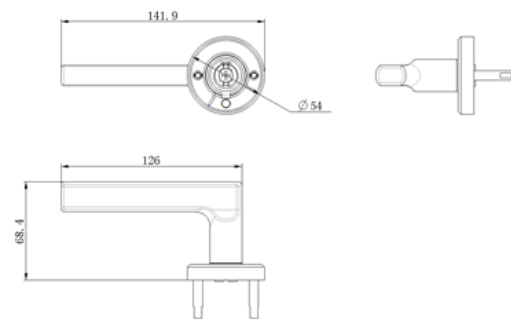


5572 lock body

Installation Dimensions (mm)



Product Dimensions (mm)



Lock Name	5572 Bluetooth door lock
Material	Stainless steel
Door lock handle dimensions	141.9x68.4x52mm
Power supply method	CR2 battery, 3 V DC
Battery life	18 months (at room temperature, unlocking for 10 times a day)
Protection level	IP52
Operating humidity	-10°C~55°C
Operating humidity	≤95%RH
Mechanical life	≥100000 times
Unlocking method	Mobile phone APP Bluetooth unlocking, mechanical key unlocking, fingerprint unlocking
Applications	Household room doors, office doors, etc.

Equipped with mechanical panel



Intelligent door lock





The door lock is composed of a 5572 Bluetooth lock body and a fingerprint panel

APP Bluetooth + fingerprint unlocking, pulling up the handle to lock

Emergency unlocking by mechanical key



APP Bluetooth unlocking



Fingerprint unlocking

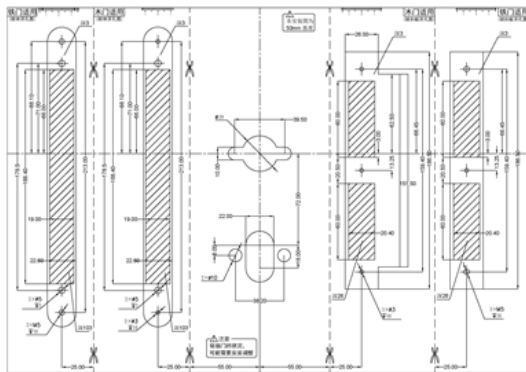


Mechanical key unlocking

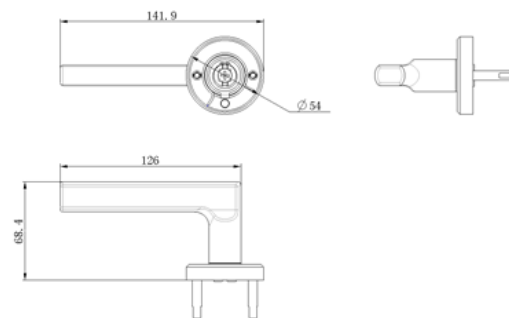


5572 lock body

Installation Dimensions (mm)



Product Dimensions (mm)



Lock Name	5572 Fingerprint door lock
Material	Stainless steel +ABS
Size of door lock handle	141.9x68.4x52mm
Power supply method	CR2 battery, 3 V DC
Battery life	18 months (at room temperature, unlocking for 10 times a day)
Protection Level	IP52
Working temperature	-10°C~55°C
Operating humidity	≤95%RH
Mechanical life	≥100000 times
Unlocking method	Mobile phone APP Bluetooth unlocking, mechanical key unlocking, fingerprint unlocking
Applications	Household room doors, office doors, etc.

Household room doors



Office door





The door lock is composed of a 6068 Bluetooth lock body and a mechanical handle panel

APP Bluetooth unlocking, pulling up the handle to lock

Emergency unlocking by mechanical key



APP Bluetooth unlocking



Mechanical key unlocking

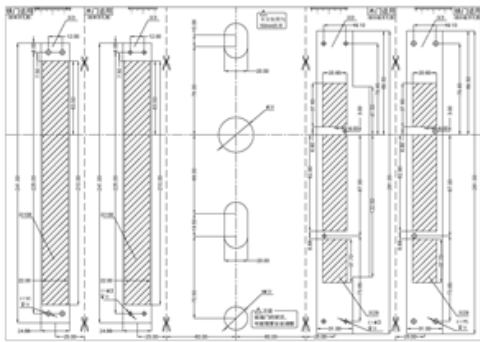


No wiring required for installation



6068 lock body

### Installation Dimensions (mm)



### Product Dimensions (mm)



Lock Name	6068 Bluetooth door lock
Material	Stainless steel
Panel dimensions	300x65x60 mm (handle length of 127.3 mm)
Power supply method	CR2 battery, 3 V DC
Battery life	18 months (at room temperature, unlocking for 10 times a day)
Protection level	IP52
Working temperature	-10°C~55°C
Operating humidity	≤95%RH
Mechanical life	≥100000 times
Unlocking method	Mobile phone APP Bluetooth unlocking and mechanical key unlocking
Applications	Household entrance doors, apartment doors, etc.

Household entrance doors



Apartment doors





The door lock is composed of a 5572 Bluetooth lock body and an electronic panel

APP Bluetooth + fingerprint + password unlocking, pulling up the handle to lock

Emergency unlocking by mechanical key



APP Bluetooth unlocking



Card unlocking

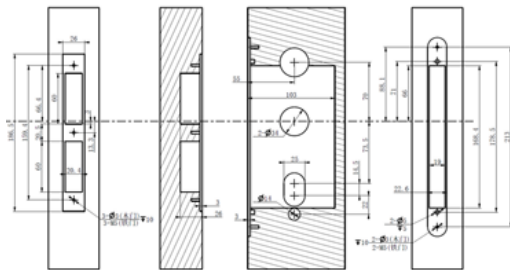


Password-free unlocking



Mechanical key unlocking

Installation Dimensions (mm)



Product Dimensions (mm)



Lock Name	5572 intelligent door lock
Material and surface treatment	Aluminum alloy
Door lock handle dimensions	304.2x70x76.6mm
Power supply method	Four AA batteries, DC 6 V
Battery life	18 months (at room temperature, unlocking for 10 times a day)
Protection level	IP52
Working temperature	-10°C~55°C
Operating humidity	≤95%RH
Mechanical life	≥100000 times
Unlocking method	Bluetooth, password, swiping card, mechanical key unlocking
Applications	Household room doors, office doors, etc.

Household room doors



Office door





The door lock is composed of a 6068 Bluetooth lock body and an electronic panel

APP Bluetooth + fingerprint + password unlocking, pulling up the handle to lock

Emergency unlocking by mechanical key



APP Bluetooth unlocking



Card unlocking

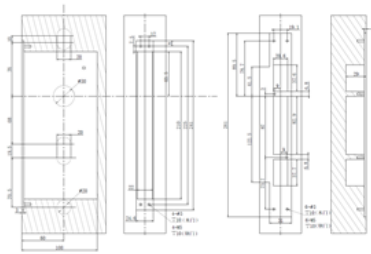


Password unlocking



Mechanical key unlocking

Installation Dimensions (mm)



Product Dimensions (mm)



Lock Name	6068 intelligent door lock
Material and surface treatment	Aluminum alloy
Panel dimensions	372.2x74.5x78mm
Power supply method	Four AA batteries, DC 6 V
Battery life	18 months (at room temperature, unlocking for 10 times a day)
Protection level	IP52
Working temperature	-10°C~55°C
Operating humidity	≤95%RH
Mechanical life	≥100000 times
Unlocking method	Bluetooth, password, swiping card, mechanical key unlocking
Applications	Household entrance doors, apartment doors, etc.

Household entrance doors



Apartment doors





The intelligent panel is used in conjunction with a Bluetooth lock body

Use APP to configure the Bluetooth unlocking permission, and password and fingerprint unlocking

Battery power supply, replaceable battery, wall-mounted



Password unlocking



Fingerprint unlocking

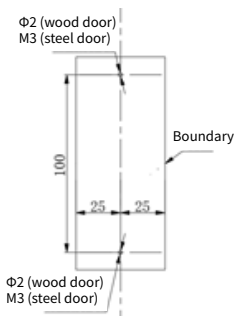


APP Bluetooth configuration

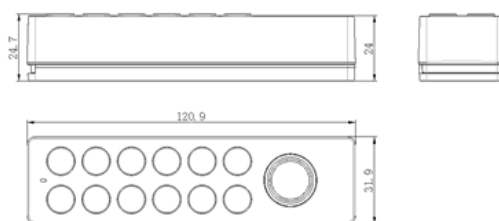


Wall-mounted

### Installation Dimensions (mm)



### Product Dimensions (mm)



Lock Name	Intelligent panel
Material	ABS
Panel dimensions	120.9x24.7x31.9mm
Power supply method	Two AAA batteries, DC 3 V
Battery life	18 months (at room temperature, unlocking for 10 times a day)
Protection level	IP65
Operating humidity	-10°C~55°C
Operating humidity	≤95%RH
Mechanical life	≥100000 times
Unlocking method	Fingerprint unlocking, password unlocking
Applications	Household, offices, etc.

### Application mode

